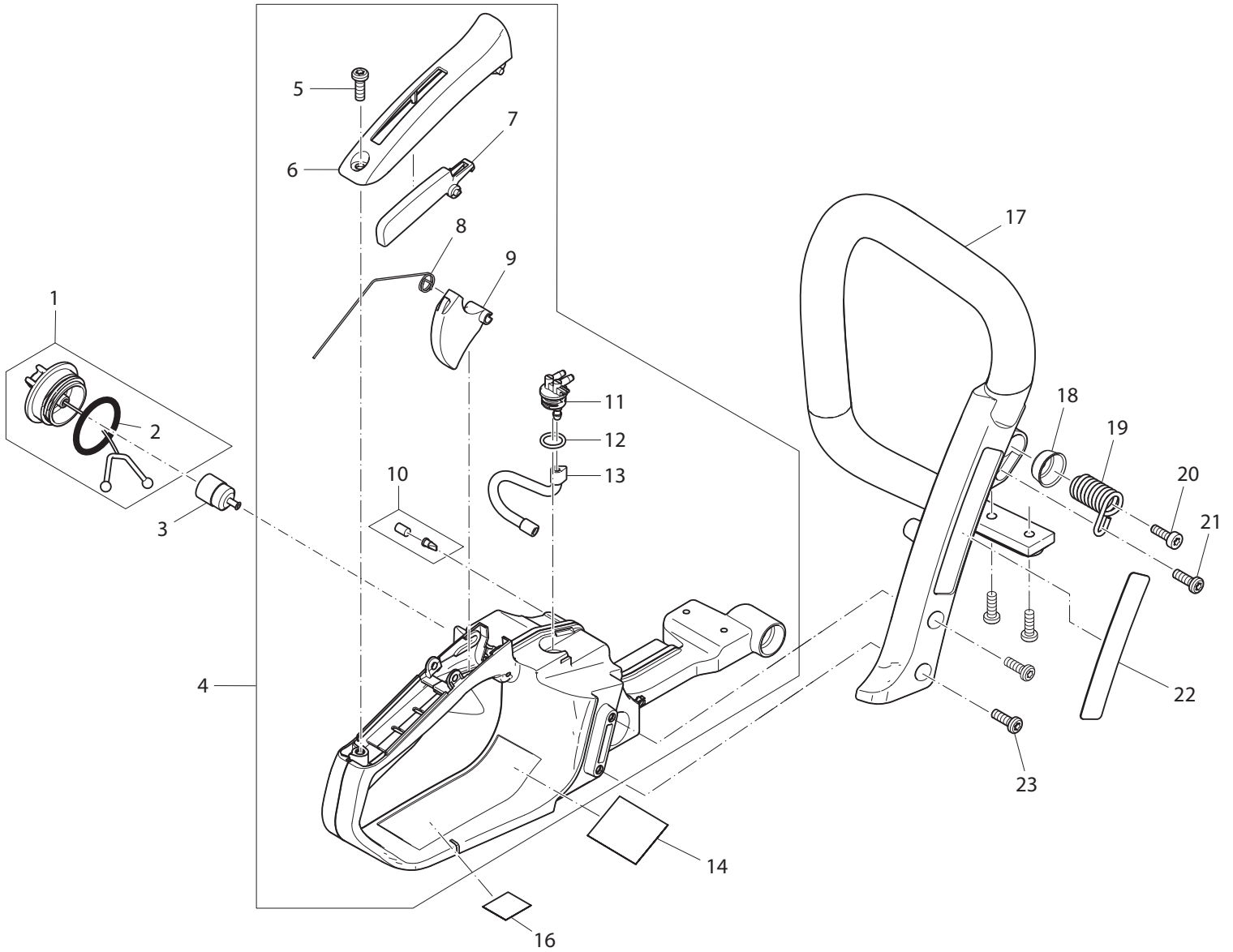
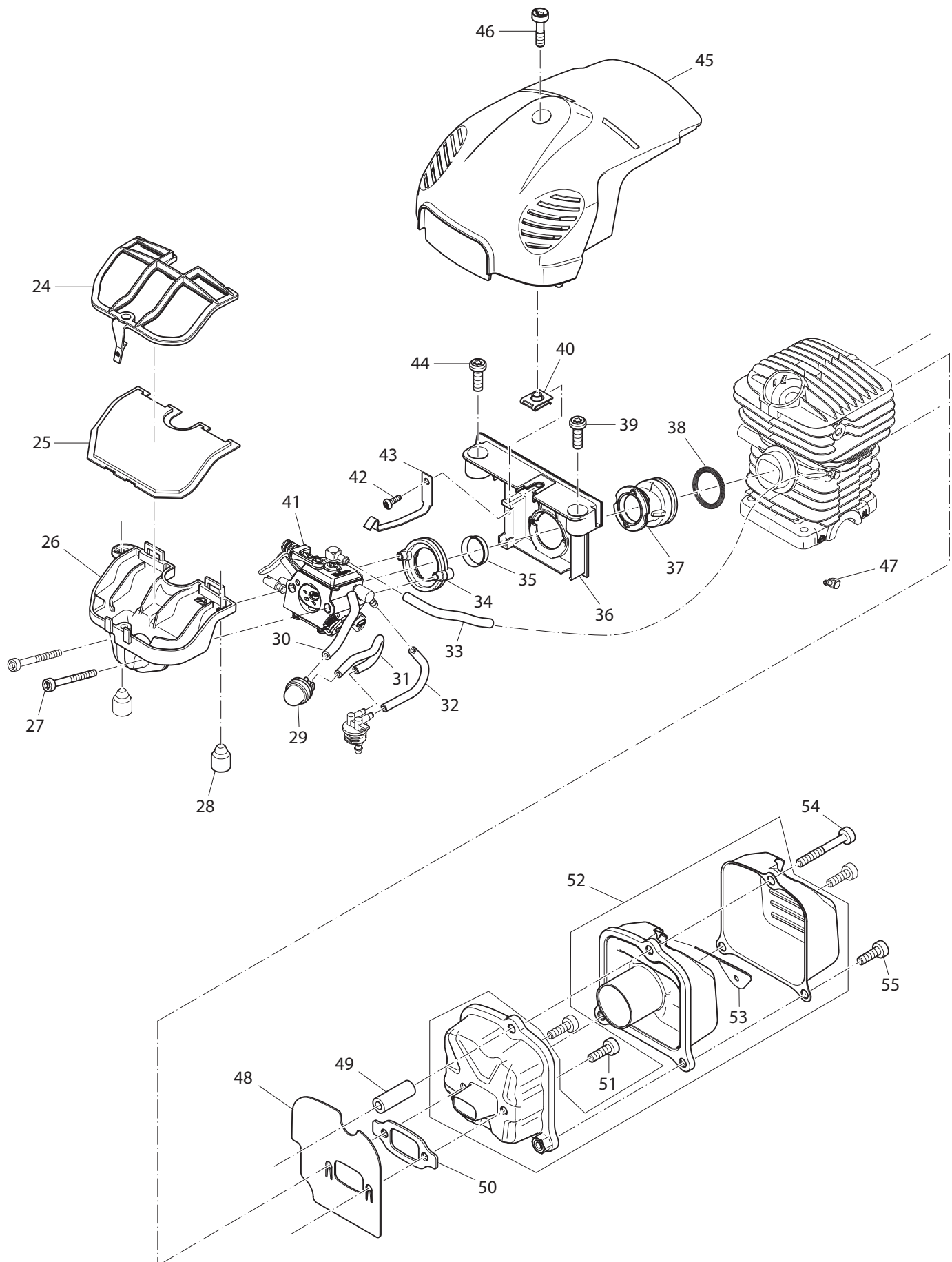
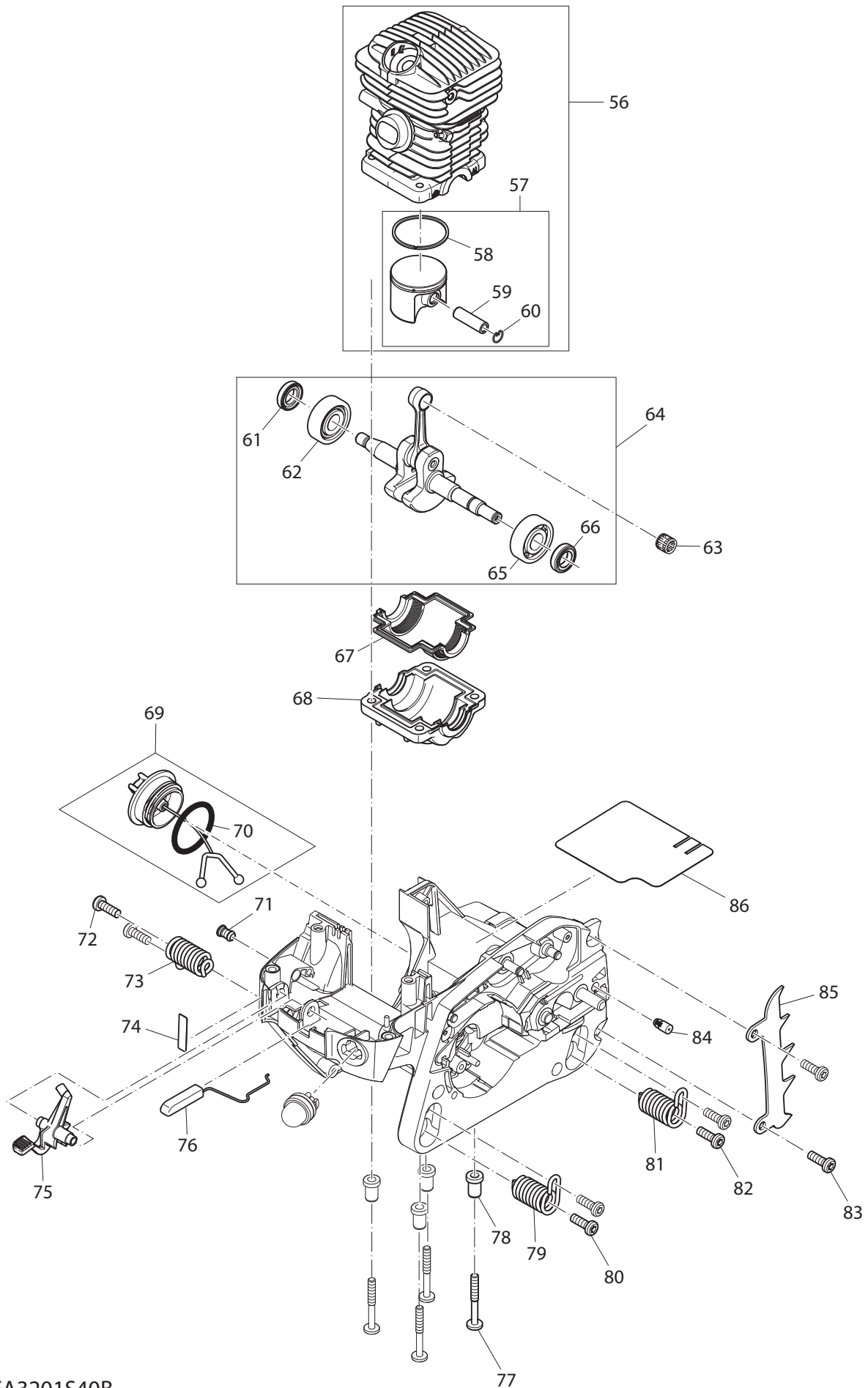


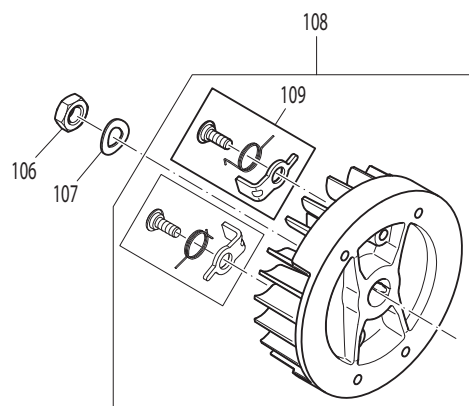
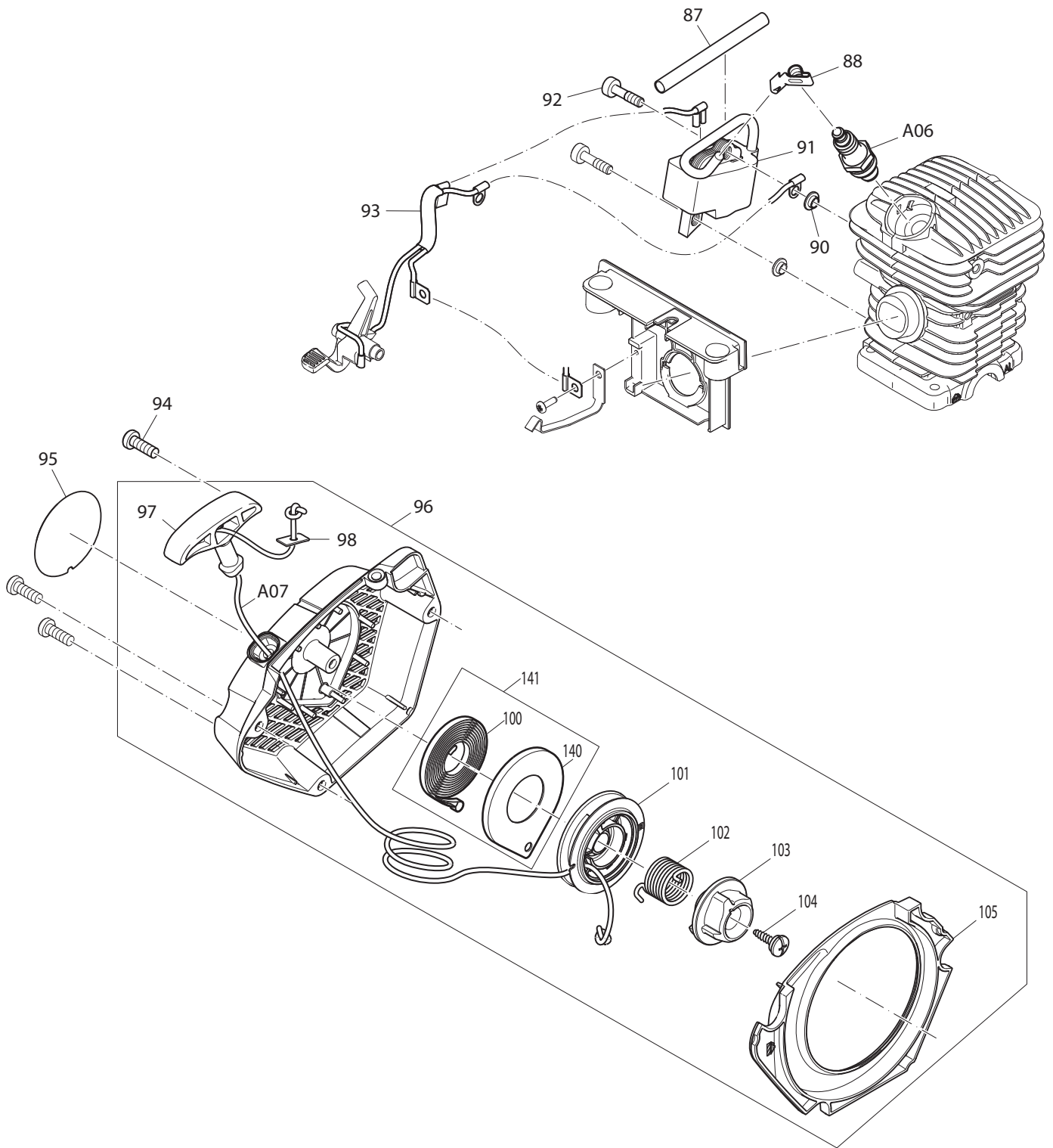


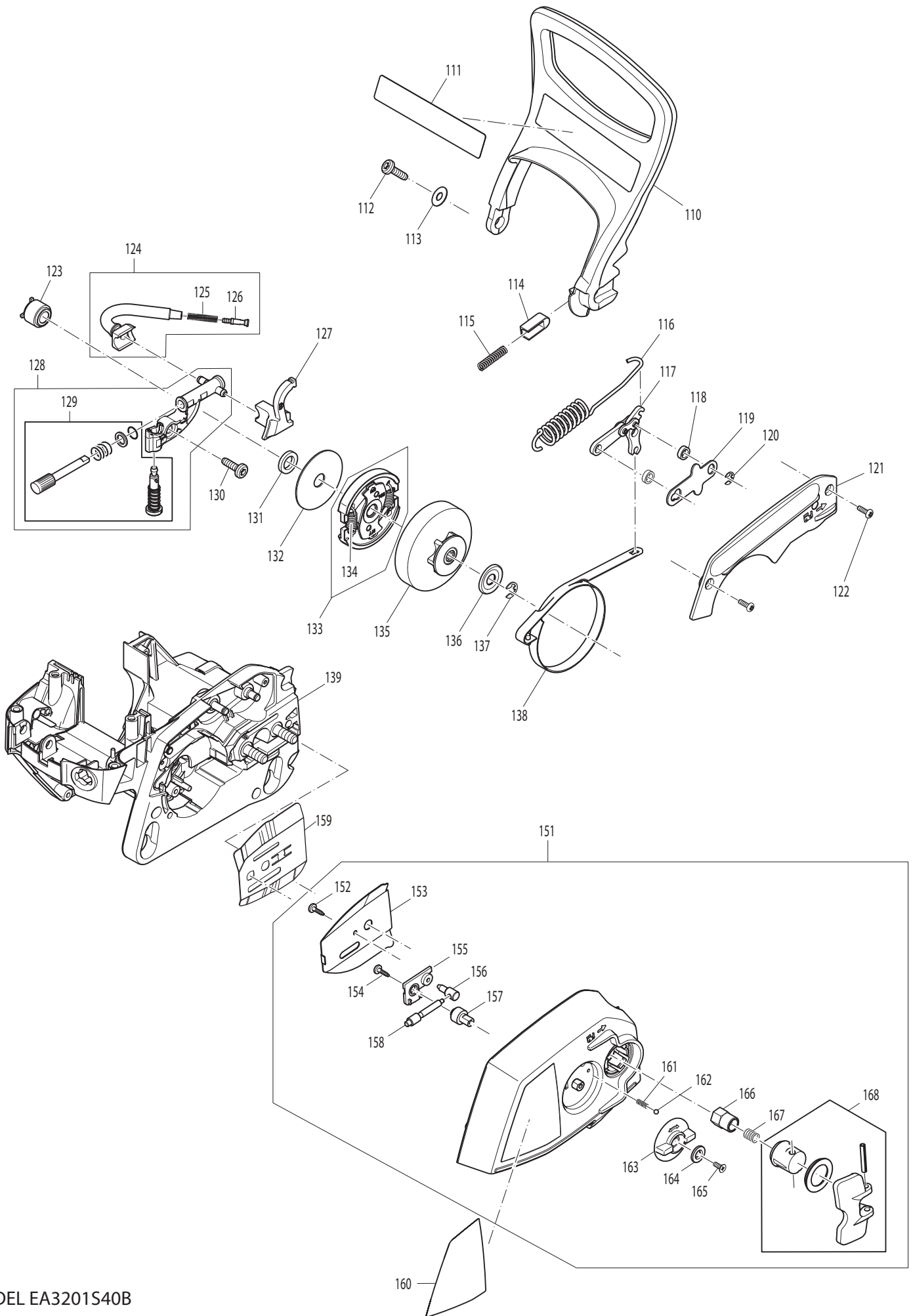
03 - 2013
EA3201S40B
32CC CHAINSAW 16" 3/8" 50G



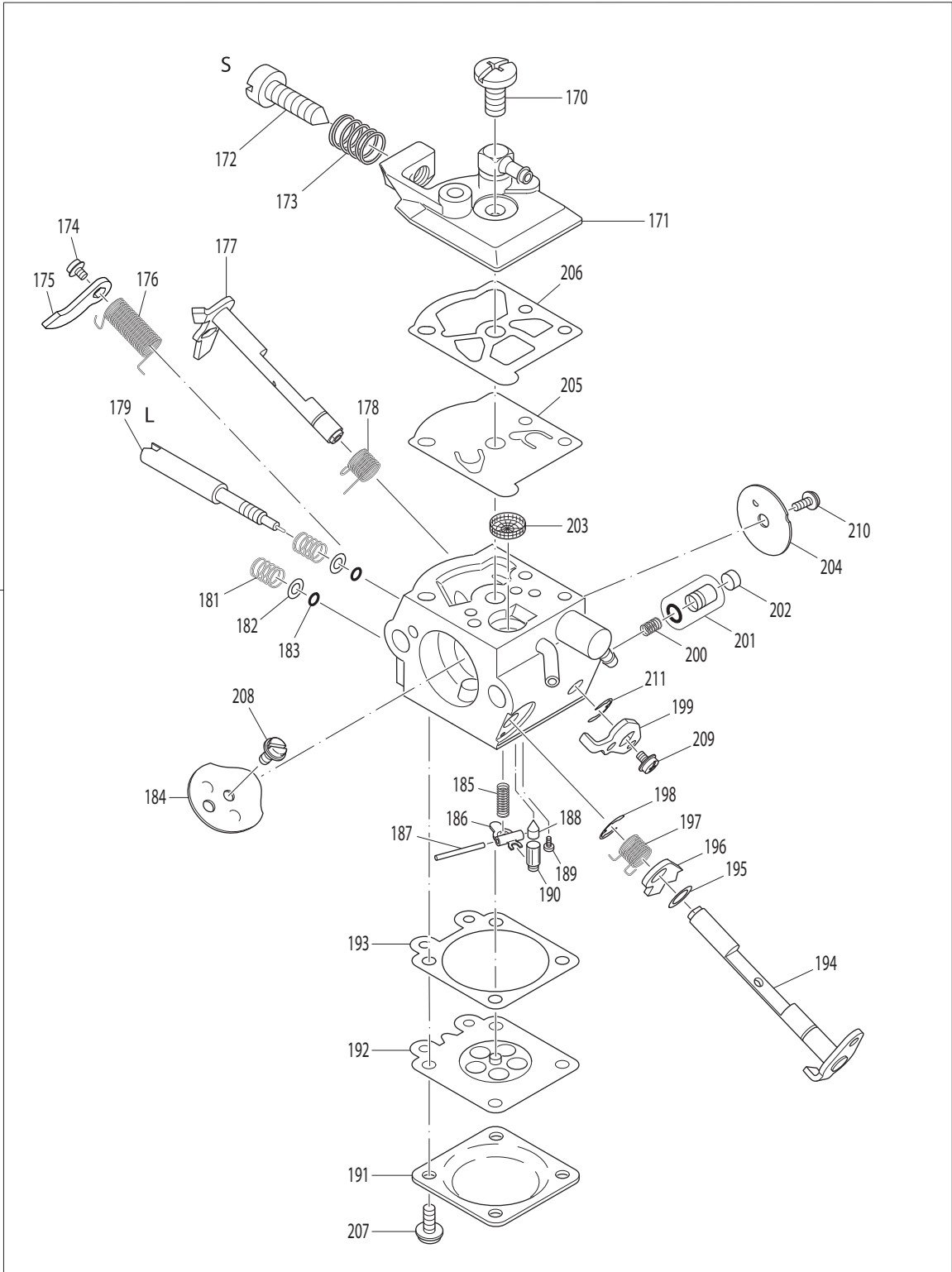








41



Item No.	Type	Sub	Part No.	Description	Qty	Unit
1			168507-3	TANK CAP COMPLETE	1	PC.
		INC.		Item No. 2		
2			213080-9	O RING 29.5	1	PC.
3			163447-0	GASOLINE FILTER	1	PC.
4			195758-5	TANK ASSEMBLY A BLUE	1	PC.
		INC.		Item No. 5-13		
5			266651-1	H.L. TAPPING SCREW 5.5X16	1	PC.
6			452021-2	GRIP SHELL	1	PC.
7			452020-4	CATCH LEVER	1	PC.
8			231866-9	TORSION SPRING 10	1	PC.
9			452019-9	THROTTLE LEVER	1	PC.
10			195762-4	AIR VALVE SET	1	PC.
11			452018-1	FUEL NIPPLE	1	PC.
12			213586-7	O RING 11.5	1	PC.
13			424456-7	FUEL LINE	1	PC.
14			869091-8	EA3201S NAME PLATE	1	PC.
16			892505-2	CAUTION LABEL	1	PC.
17			452036-9	TUBULAR HANDLE	1	PC.
18			346517-2	CUP WASHER 6	1	PC.
19			234189-4	COMPRESSION SPRING 12	1	PC.
20			266605-8	H.L. SOCKET HEAD BOLT M5X16	1	PC.
21			266651-1	H.L. TAPPING SCREW 5.5X16	1	PC.
22			891898-4	MAKITA LOGO LABEL	1	PC.
23			266651-1	H.L. TAPPING SCREW 5.5X16	4	PC.
24			452031-9	AIR FILTER COVER	1	PC.
25			423414-0	AIR FILTER	1	PC.
26			452030-1	INTAKE MANIFOLD	1	PC.
27			266604-0	H.L. SOCKET HEAD BOLT M4X40	2	PC.
28			424173-9	DAMPING PLUG	2	PC.
29			168398-2	PRIMER PUMP	1	PC.
30			422067-2	TUBE 2.5-55	1	PC.
31			422065-6	TUBE 2.5-112	1	PC.
32			422068-0	TUBE 3-70	1	PC.
33			422066-4	TUBE 2.5-72	1	PC.
34			318634-8	FLANGE RING	1	PC.
35			346413-4	BUSH 17	1	PC.
36			452024-6	INTERMEDIATE FLANGE	1	PC.
37			424340-6	INTAKE HOSE	1	PC.
38			233971-8	RING SPRING	1	PC.
39			266651-1	H.L. TAPPING SCREW 5.5X16	1	PC.
40			264044-6	SNAP NUT M5	1	PC.
41			168779-0	CARBURETOR	1	PC.
		INC.		Item No. 170-179, 181-211		
42			266421-8	TAPPING SCREW 3X10	1	PC.
43			346290-4	CONTACT SPRING	1	PC.
44			266651-1	H.L. TAPPING SCREW 5.5X16	1	PC.
45			452023-8	HOOD	1	PC.
46			266607-4	H.L. SOCKET HEAD BOLT M5X20	1	PC.
47			325938-1	ANGULAR NIPPLE	1	PC.
48			346306-5	COOLING PLATE	1	PC.
49			325939-9	CONNECTING LINK	1	PC.
50			346304-9	GASKET	1	PC.
51			266605-8	H.L. SOCKET HEAD BOLT M5X16	2	PC.
52			168604-5	MUFFLER COMPLETE	1	PC.
		INC.		Item No. 53		PC.
53			346294-6	SPARK ARRESTER SCREEN	1	PC.
54			266606-6	H.L. SOCKET HEAD BOLT M5X40	1	PC.
55			266605-8	H.L. SOCKET HEAD BOLT M5X16	2	PC.

Item No.	Type	Sub	Part No.	Description	Qty	Unit
56	1		195759-3	* CYLINDER PISTON SET	1	PC.
		INC.		* Item No. 57		PC.
	2		196384-3	* CYLINDER PISTON SET	1	PC.
		INC.	142136-0	* CYLINDER COMPLETE	1	PC.
57			195760-8	* PISTON SET	1	PC.
		INC.		* Item No. 58-60		PC.
58			325991-7	PISTON RING 38	1	PC.
59			325992-5	PISTON PIN 8	1	PC.
60			233988-1	RING SPRING 8	1	PC.
61			213582-5	OIL SEAL 12	1	PC.
62			211341-1	BALL BEARING 6201	1	PC.
63			212086-4	NEEDLE CAGE 810	1	PC.
64			195956-1	CRANK SHAFT SET	1	PC.
		INC.		Item No. 61,62,65,66		PC.
65			211341-1	BALL BEARING 6201	1	PC.
66			213582-5	OIL SEAL 12	1	PC.
67			424339-1	CRANK CASE SEALING	1	PC.
68			318633-0	CRANKCASE UNDERSIDE	1	PC.
69			168507-3	TANK CAP COMPLETE	1	PC.
		INC.		Item No. 70		PC.
70			213080-9	O RING 29.5	1	PC.
71	1		452629-2	PLUG	1	PC.
71	2		452727-2	PLUG	1	PC.
72			266651-1	H.L. TAPPING SCREW 5.5X16	2	PC.
73			234189-4	COMPRESSION SPRING 12	1	PC.
74			816917-5	INDICATION LABEL	1	PC.
75			452025-4	CHOKE LEVER	1	PC.
76			452022-0	THROTTLE LINKAGE	1	PC.
77			266608-2	H.L.TAPPING SCREW 5X40	4	PC.
78			325946-2	BUSH 6	4	PC.
79			234189-4	COMPRESSION SPRING 12	1	PC.
80			266651-1	H.L. TAPPING SCREW 5.5X16	2	PC.
81			234189-4	COMPRESSION SPRING 12	1	PC.
82			266651-1	H.L. TAPPING SCREW 5.5X16	2	PC.
83			266651-1	H.L. TAPPING SCREW 5.5X16	2	PC.
84			168504-9	VENT VALVE	1	PC.
85			346301-5	SPIKE BAR	1	PC.
86			346385-3	HEAT PROTECTION FOIL	1	PC.
87			444029-0	ISOLATING TUBE 6-95	1	PC.
88			346445-1	SPARK PLUG CONNECTOR	1	PC.
90			452670-5	ISOLATING WASHER	2	PC.
91			125808-2	IGNITION COIL ASSEMBLY	1	PC.
		INC.		Item No. 87,88		PC.
92			266631-7	H.L. SOCKET HEAD BOLT M5X20	2	PC.
93			168601-1	CABLE HARNESS	1	PC.
94			266651-1	H.L. TAPPING SCREW 5.5X16	3	PC.
96			168608-7	STARTER COMPLETE BLUE	1	PC.
		INC.		Item No. 97-99,101-105,141		PC.
97			453783-5	STARTER GRIP	1	PC.
98			267847-7	SQUARE WASHER 4	1	PC.
100			234252-3	REWIND SPRING - Not available individually	1	PC.
101			453785-1	REEL	1	PC.
102			234253-1	TORSION SPRING 20	1	PC.
103			453786-9	CAM PLATE	1	PC.
104			266777-9	TAPPING SCREW 5X12	1	PC.
105			452026-2	AIR GUIDE PLATE	1	PC.
106			264053-5	HEX. NUT M8X1	1	PC.
107			267822-3	SPRING WASHER 8	1	PC.

Item No.	Type	Sub	Part No.	Description	Qty	Unit
108			140480-9	FLYWHEEL COMPLETE	1	PC.
		INC.		Item No. 109		PC.
109			195761-6	RATCHET SET	2	PC.
110			452032-7	HAND GUARD	1	PC.
111			810449-4	CAUTION LABEL	1	PC.
112			266627-8	H.L. TAPPING SCREW 4.7X16	1	PC.
113			267066-5	FLAT WASHER 5	1	PC.
114			313212-9	HAND GUARD GUIDE	1	PC.
115			234210-9	COMPRESSION SPRING 6	1	PC.
116			231868-5	TENSION SPRING 10	1	PC.
117			163500-2	LINK PLATE COMPLETE	1	PC.
118			325947-0	BUSH 6	2	PC.
119			346299-6	SPACER SHEET METAL	1	PC.
120			961011-9	STOP RING E-4	1	PC.
121			452033-5	BRAKE COVER	1	PC.
122			266421-8	TAPPING SCREW 3X10	2	PC.
123			452035-1	PUMP DRIVE	1	PC.
124			168645-1	OIL SUCTION LINE COMPLETE	1	PC.
		INC.		Item No. 125,126		PC.
125			234207-8	COMPRESSION SPRING 6	1	PC.
126			452666-6	NIPPLE	1	PC.
127			424342-2	OIL PRESSURE LINE	1	PC.
128			168503-1	OIL PUMP COMPLETE	1	PC.
		INC.		Item No. 129		PC.
129			195872-7	OIL PUMP ADJUSTMENT SET - Not available individually	1	PC.
130			266627-8	H.L. TAPPING SCREW 4.7X16	1	PC.
131			267430-0	FLAT WASHER 10	1	PC.
132			267431-8	FLAT WASHER 10	1	PC.
133			168607-9	CLUTCH COMPLETE	1	PC.
		INC.		Item No. 134		PC.
134			231873-2	TENSION SPRING 5	2	PC.
135			140980-9	CLUTCH DRUM ASSEMBLY	1	PC.
136			267451-2	FLAT WASHER 8	1	PC.
137			259033-4	RETAINING RING E TYPE 6	1	PC.
138			346298-8	BRAKE BAND	1	PC.
139			140482-5	ENGINE HOUSING COMPLETE TLC B	1	PC.
140			453784-3	SPRING CASSETTE - Not available individually	1	PC.
141			195955-3	REWIND SPRING SET	1	PC.
		INC.		Item No. 100,140		PC.
151			140510-6	SPROCKET GUARD TLC COMPLETE B	1	PC.
		INC.		Item No. 152-158,161-168		PC.
152			266007-8	TAPPING SCREW BIND PT 3X10	1	PC.
153			346309-9	GUIDE PLATE	1	PC.
154			266007-8	TAPPING SCREW BIND PT 3X10	1	PC.
155			417403-5	COVER	1	PC.
156			324068-5	ADJUST PIN	1	PC.
157			226681-4	HELICAL GEAR 17	1	PC.
158			226534-7	HELICAL GEAR 8	1	PC.
159			346518-0	GUIDE PLATE	1	PC.
160			892502-8	INDICATION LABEL	1	PC.
161			233033-2	COMPRESSION SPRING 4	1	PC.
162			216008-6	STEEL BALL 4	1	PC.
163			419233-0	DIAL 40	1	PC.
164			253874-0	FLAT WASHER 4	1	PC.
165			915106-0	BINDING HEAD SCREW M4X8	1	PC.
166			264042-0	HEX. NUT M8-13	1	PC.
167			231025-5	COMPRESSION SPRING 8	1	PC.
168			195764-0	WING GRIP SET	1	PC.

Item No.	Type	Sub	Part No.	Description	Qty	Unit
170			WJ00096166	SCREW	1	PC.
171			WJ00213750	COVER ASSEMBLY-PUMP	1	PC.
172			WJ00096369	SCREW-IDLE ADJ.	1	PC.
173			WJ00098356	SPRING	1	PC.
174			WJ00096475	SCREW	1	PC.
175			WJ00183519	LEVER-CHOKE	1	PC.
176			WJ00983585	SPRING	1	PC.
177			WJ00223556	SHAFT ASSEMBLY-THROTTLE	1	PC.
178			WJ00098494	SPRING	1	PC.
179			WJ01023908	NEEDLE-IDLE	1	PC.
181			WJ00098404	SPRING	2	PC.
182			WJ00136152	WASHER	2	PC.
183			WJ00016105	RING-O	2	PC.
184			WJ00062150	VALVE-CHOKE	1	PC.
185			WJ00983270	SPRING	1	PC.
186			WJ00166114	LEVER-METERING	1	PC.
187			WJ00014477	PIN-METERING LEVER	1	PC.
188			WJ00008282	VALVE-INLET NEEDLE	1	PC.
189			WJ00963226	SCREW	1	PC.
190			WJ00088271	PLUG-WELCH	1	PC.
191			WJ00021158	COVER-METERING DIAPHRAGM	1	PC.
192			WJ00095613	DIAPHRAGM ASSEMBLY-METERING	1	PC.
193		1	WJ00092192	GASKET-METERING DIAPHRAGM	1	PC.
		2	442183-4	GASKET-METERING DIAPHRAGM	1	PC.
194			WJ00223784	SHAFT ASSEMBLY-CHOKE	1	PC.
195			WJ00013690	WASHER	1	PC.
196			WJ00016682	LEVER-FAST IDLE	1	PC.
197			WJ00983584	SPRING	1	PC.
198			WJ00001673	RING-RETAINING	1	PC.
199			WJ00183366	LEVER-THROTTLE	1	PC.
200			WJ00983164	SPRING	1	PC.
201			WJ00160511	PISTON ASSMBLY-ACCELERATOR	1	PC.
202			WJ00088229	PLUG-CUP	1	PC.
203			WJ00014070	INLET SCREEN	1	PC.
204			WJ00343439	VALVE-THROTTLE	1	PC.
205			WJ00009589	DIAPHRAGM-PUMP	1	PC.
206			WJ00092225	GASKET-PUMP	1	PC.
207			WJ00096589	SCREW ASSEMBLY	4	PC.
208			WJ00096475	SCREW	1	PC.
209			WJ00096475	SCREW	1	PC.
210			WJ00096475	SCREW	1	PC.
211			WJ00001673	RING-RETAINING	1	PC.
C01			872115-1	CARTON F/EA3201S40B	1	PC.
ACCESSORIES			- See Catalogue or visit www.makita.ca for more accessories information -			
A01			165202-6	GUIDE BAR 16", 3/8", .050"	1	PC.
A02			419560-5	CHAIN COVER 16", 3/8"	1	PC.
A03		1	528 092 656	SAW CHAIN 16", 3/8", .050"	1	PC.
A04			782026-1	UNIVERSAL WRENCH 13/16	1	PC.
A05			783012-5	SCREWDRIVER	1	PC.
A06			650109950	SPARK PLUG NGK CMR6A	1	PC.
A07			444038-9	STARTER ROPE	1	PC.

SERVICE CHANGES

1. Changes on Cylinder Piston Set

Item No.	Description	Type 1	Type 2
56	Cylinder Piston Set	195759-3	196384-3
INC.	Cylinder Complete	-	142136-0
47	Angular Nipple	325938-1	-

Above parts are completely interchangeable as a set.

Type 1

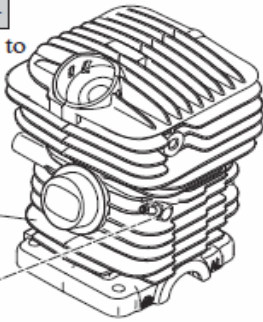
Cylinder piston set (195759-3) consists of Piston set (195760-8) and Cylinder 38.

Angular nipple is supplied individually.

It has been necessary to press-fit the angular nipple to Cylinder 38 at precise angle.

Cylinder 38

Angular nipple (325938-1)



Type 2

Cylinder piston set (196384-3) consists of Piston set (195760-8) and Cylinder complete (142136-0).

Angular nipple is factory-assembled to Cylinder 38 under our quality control, and therefore, Angular nipple is not available for repair.

Cylinder complete (142136-0) consists of Cylinder 38 and Angular guide.

